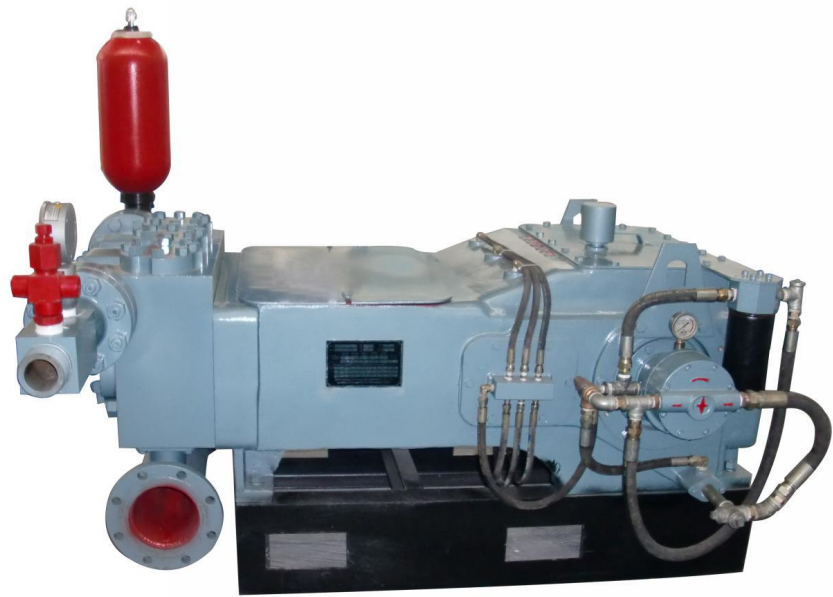


“At PREMIUM , we care about the products we supply.”

**OILFIELD HIGH PRESSURE EQUIPMENT
MUD PUMP
FOR TEED-165**



NATIONAL PREMIUM OILWELL

E-mail: sales@premiumrigparts.com
www.premiumrigparts.com



Premium Mud Pump TEED-165

TEED-165 Pump Technical specifications

I. TEED-165 PUMP Technical Specification

Parameter	TEED-165 PUMP	Parameter	TEED-165 PUMP
Max. Input Power	165HP	Design according to consumer's demand.	(6" Slop/ Flange)
Max Stroke number	300 s/min	Discharge Thread	2-9/16" 10000PSI Flange
Stroke	5" (127mm)	Outside Dimension (skid included)	1815*1200*955 mm
Max Plunger Dia.	4" (101.6mm)	Weight	1451KG
Max Pump Pressure	70MPa		

II. TEED-165 PUMP Structure Character

Power Frame :

Eccentric Direct Drive

External Lubricating Oil Pump and Filter

Fluid End :

Forged steel modular blocks

Cast Steel monoblock

Removable Stuffing Box with Thread Gland Nuts

Adjustable or Non-Adjustable type packing

Hardened Abrasive- Resistant Valves

6" Suction Manifold

Colmonoy Plungers or Pistons/Liners Configuration

Piston/Liner Construction

III. TEED-165 PUMP Performance Parameter Table

		Plunger/ Piston* Diameter 柱塞直径		Displacement Per Revolution 流量		50RPM 公升/分				100RPM 公升/分				200RPM 公升/分				250RPM 公升/分				300RPM 公升/分			
		(in.)	(mm.)	Gal/ Rev	Liter/ Rev.	LPM	GPM	PSI	Kg/ sq. cm	LPM	GPM	PSI	Kg/ sq. cm	LPM	GPM	PSI	Kg/ sq. cm	LPM	GPM	PSI	Kg/ sq. cm	LPM	GPM	PSI	Kg/ sq. cm
LEE D-165	LEE F-165	4.00	102	0.817	3.091	155	41	3500	246	309	82	2950	206	618	163	1475	104	773	204	1175	83	927	245	975	69
		3.50	89	0.623	2.359	118	31	4600	321	236	62	3800	268	472	125	1925	135	590	156	1550	108	708	187	1300	90
		3.00	76	0.460	1.741	87	23	6200	438	174	46	5250	368	348	92	2625	184	435	115	2100	147	522	138	1750	123
		2.75	70	0.387	1.463	73	19	7400	521	146	39	6150	433	293	77	3125	220	366	97	2500	176	439	116	2075	146
		2.50	63	0.319	1.206	60	16	9000	630	121	32	7550	532	241	64	3775	265	302	80	3025	212	362	96	2525	177
		2.25	57	0.258	0.977	49	13	10000	703	98	26	9300	655	195	52	4650	328	244	65	3725	262	293	77	3100	218
		2.00	51	0.204	0.722	39	10	10000	703	77	20	10000	703	154	41	5900	414	193	51	4725	332	232	61	3925	276
		1.75	44	0.156	0.591	30	8	10000	719	59	16	10000	703	118	31	7700	542	148	39	6175	433	177	47	5125	360

Disclaimer:

Premium rig parts is not an authorized agent, sales representative or repair facility for all the manufactures listed above. Manufactures names are registered trademarks of their respective companies.



Tel:0086-15376875239

E-mail: sales@premiumrigparts.com

www.premiumrigparts.com

“At PREMIUM , we care about the products we supply.”

**OILFIELD HIGH PRESSURE EQUIPMENT
MUD PUMP
FOR TEEF-165**



NATIONAL PREMIUM OILWELL

E-mail: sales@premiumrigparts.com
www.premiumrigparts.com



Premium Mud Pump TEEF-165

TEEF-165 Pump Technical specifications

I. TEEF-165 PUMP SPECIFICATIONS:

Parameter	TEEF-165 PUMP	Parameter	TEEF-165 PUMP
Max. Input Power	165HP	Design according to consumer's demand.	4"- 6"Slop
Max Stroke number	300 s/min.	Discharge Thread	NPT 2"Thread Connection
stroke	5"(127mm)	Outside Dimension	1765*1200*955 mm
Max Plunger Dia.	3"(76.2mm)	Weight	1360KG
Max Pump Pressure	70MPa		

II. TEEF-165 PUMP Performance parameter table

		Plunger/ Piston* Diameter 柱塞直径		Displacement Per Revolution 流量		50RPM 公升/分				100RPM 公升/分				200RPM 公升/分				250RPM 公升/分				300RPM 公升/分			
		(in.)	(mm.)	Gal/ Rev	Liter/ Rev.	LPM	GPM	PSI	Kg/ sq. cm	LPM	GPM	PSI	Kg/ sq. cm	LPM	GPM	PSI	Kg/ sq. cm	LPM	GPM	PSI	Kg/ sq. cm	LPM	GPM	PSI	Kg/ sq. cm
LEE D-165	LEE F-165	4.00	102	0.817	3.091	155	41	3500	246	309	82	2950	206	618	163	1475	104	773	204	1175	83	927	245	975	69
		3.50	89	0.623	2.359	118	31	4600	321	236	62	3800	268	472	125	1925	135	590	156	1550	108	708	187	1300	90
		3.00	76	0.460	1.741	87	23	6200	438	174	46	5250	368	348	92	2625	184	435	115	2100	147	522	138	1750	123
		2.75	70	0.387	1.463	73	19	7400	521	146	39	6150	433	293	77	3125	220	366	97	2500	176	439	116	2075	146
		2.50	63	0.319	1.206	60	16	9000	630	121	32	7550	532	241	64	3775	265	302	80	3025	212	362	96	2525	177
		2.25	57	0.258	0.977	49	13	10000	703	98	26	9300	655	195	52	4650	328	244	65	3725	262	293	77	3100	218
		2.00	51	0.204	0.722	39	10	10000	703	77	20	10000	703	154	41	5900	414	193	51	4725	332	232	61	3925	276
		1.75	44	0.156	0.591	30	8	10000	719	59	16	10000	703	118	31	7700	542	148	39	6175	433	177	47	5125	360

Disclaimer:

Premium rig parts is not an authorized agent, sales representative or repair facility for all the manufactures listed above. Manufactures names are registered trademarks of their respective companies.



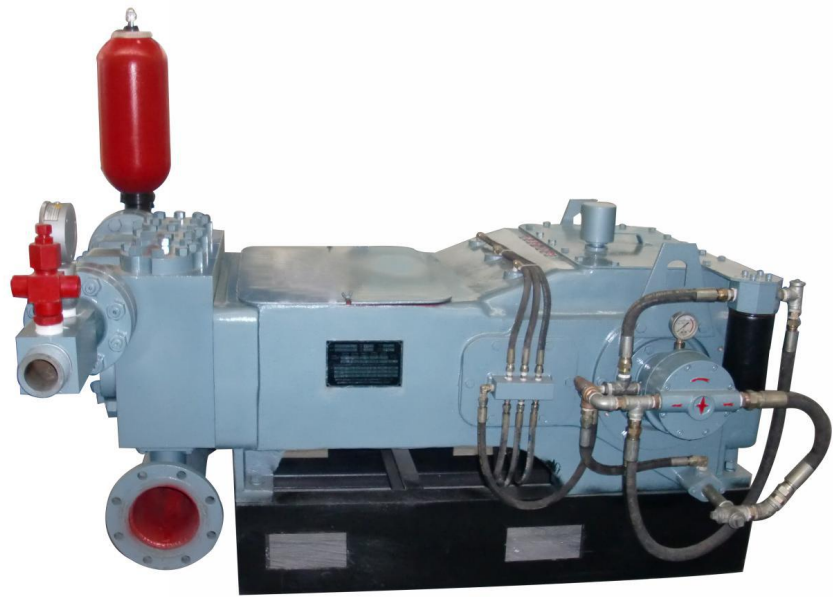
Tel:0086-15376875239

E-mail: sales@premiumrigparts.com

www.premiumrigparts.com

“At PREMIUM , we care about the products we supply.”

**OILFIELD HIGH PRESSURE EQUIPMENT
MUD PUMP
FOR THE-215**



NATIONAL PREMIUM OILWELL

E-mail: sales@premiumrigparts.com
www.premiumrigparts.com



Premium Mud Pump THE-215

THE-215 Pump Technical specifications

I. THE-215 PLUNGER PUMP SPECIFICATIONS

Maximum BHP: 215 HP (160 KW)	Dis Oil Capacity: 12 gal. (45 liters)
Maximum RPM: 300 rpm	Plunger Load: 37,000 lbs. (16,965 kg)
No. of Plungers: 3	Test Pressure 3,600 psi (1,633 kg/cm ²)
Stroke Length: 5 in. (127 mm)	Pump Weight: 3,990 lbs. (1,810 kg) charge Hydrostatic

II. THE-215 PLUNGER PUMP STANDARD EQUIPMENT

Eccentric construction	Stainless steel, abrasion resistant, wing-guided valves
Left or right side suction and discharge connections	Piston and liner construction
Left or right hand keyed shaft extension	Clamp style connections between piston rod and crosshead extensions
Pressure lubricated power end	Chrome liners in 4, 4.5, 5 and 5.5 inch sizes
Fluid end, forging steel	Rod wash spray bar and baffles

III. THE-215 PLUNGER PUMP Performance

Piston/Liner Size 活塞/缸套尺寸		Displacement per Revolution 流量		Displacement at Pump RPM 流量											
		50				100				150					
in.	mm	GPR	LPR	GPM	LPM	PSI	kg/cm ²	GPM	LPM	PSI	kg/cm ²	GPM	LPM	PSI	kg/cm ²
5" Cast Fluid End															
4	102	0.816	3.089	41	154	2944	206	82	309	2944	206	122	463	2718	191
4.5	114	1.032	3.907	52	195	2326	163	103	391	2326	163	155	588	2100	148
5	127	1.274	4.824	64	241	1884	132	127	482	1884	132	191	724	1700	120
5.5	140	1.542	5.837	77	292	1557	109	154	584	1557	109	231	876	1435	100
Input Power: 输入功率		BHP		79				156				215			
		KW		59				116				160			

Piston/Liner Size 活塞/缸套尺寸		Displacement per Revolution 流量		Displacement at Pump RPM 流量											
		200				250				300					
in.	mm	GPR	LPR	GPM	LPM	PSI	kg/cm ²	GPM	LPM	PSI	kg/cm ²	GPM	LPM	PSI	kg/cm ²
5" Cast Fluid End															
4	102	0.816	3.089	163	618	2034	143	204	772	1625	114	245	927	1354	95
4.5	114	1.032	3.907	206	781	1600	112	258	977	1280	90	310	1173	1070	75
5	127	1.274	4.824	255	965	1300	91	319	1206	1040	73	383	1448	870	61
5.5	140	1.542	5.837	308	1167	1076	76	386	1460	860	60	462	1752	720	51
Input Power: 输入功率		BHP		215				215				215			
		KW		160				160				160			

Disclaimer:

Premium rig parts is not an authorized agent, sales representative or repair facility for all the manufactures listed above. Manufactures names are registered trademarks of their respective companies.



“At PREMIUM , we care about the products we supply.”

**OILFIELD WORK OVER EQUIPMENT
MUD PUMP
FOR EWS440**



NATIONAL PREMIUM OILWELL

E-mail: sales@premiumrigparts.com
www.premiumrigparts.com



Premium Mud Pump EWS440

Specifications

Rated Horsepower:	440 HP
Rated Pump Speed:	320 SPM
Stroke Length:	6"
Suction Inlet:	150 flange 6"
Discharge Outlet:	900 flange 3"
Gear Ratio:	4.578:1
Valve Pot:	API #4
Dimensions	98" x 48" x 44"
Approximate Weight:	9,840 lbs

HW-440 Performance

Liner Size, inches		4-1/2	4-1/4	4	3-3/4	3-1/2	3
Rated Pressure, psi		1,710	1,917	2,169	2,468	2,816	3,327
Pump Speed SPM	Input Power HP	Displacement, GPM					
320	440	397	354	313	275	240	204
270	380	335	299	264	232	202	149
220	320	273	243	215	189	165	121
170	260	211	188	167	146	127	94
120	200	149	133	118	103	90	66
70	200	87	77	69	60	52	39
Volume/Stroke, gallons		1.239	1.011	0.979	0.861	0.750	0.551

Ratings are based on 90% mechanical efficiency and 100% volumetric efficiency.

Disclaimer:

Premium rig parts is not an authorized agent, sales representative or repair facility for all the manufactures listed above. Manufactures names are registered trademarks of their respective companies.



“At PREMIUM , we care about the products we supply.”

**OILFIELD WORK OVER EQUIPMENT
MUD PUMP
FOR EWS446**



NATIONAL PREMIUM OILWELL

E-mail: sales@premiumrigparts.com
www.premiumrigparts.com



Premium Mud Pump EWS446

EWS446 Mud Pump TECHNICAL SPECIFICATION

Rated input power 328KW (440HP)
Rated Stroke 320 Stroke/Minute(320SPM)
Stroke 152.4mm (6")
Gear Ratio 4.578 : 1
Max. operation pressure 35Mpa
Valve chamber Valve-Over API 4#
Max. liner dia. 6"
Max. liner mud pressure (160 stroke/minute) 16.9Mpa
Dia. of suction manifold, 6" (150#) Flange
Dia. of discharge manifold 3"(900#) Flange
Dia. pinion shaft 95.25 mm(3.75")
Key 22.174x15.9mm
Dimension: (No included base) , 2479X1219X1103 mm

EWS-446 Performance

Liner Size, inches		6	5-1/2	5	4-1/2	4	3-1/2
Rated Pressure, psi		1,027	1,222	1,479	1,710	2,169	2,816
Pump Speed SPM	Input Power HP	Displacement, GPM					
		320	270	220	170	120	70
440	380	320	260	200	200	110	93
661	551	441	330	220	110	76	87
555	463	370	278	185	93	76	87
459	382	306	229	153	76	76	76
397	335	273	211	149	87	87	87
313	264	215	167	118	69	69	69
240	202	165	127	90	52	52	52
Volume/Stroke, gallons		2.203	1.851	1.530	1.239	0.979	0.750

Ratings are based on 90% mechanical efficiency and 100% volumetric efficiency.

Disclaimer:

Premium rig parts is not an authorized agent, sales representative or repair facility for all the manufactures listed above. Manufactures names are registered trademarks of their respective companies.

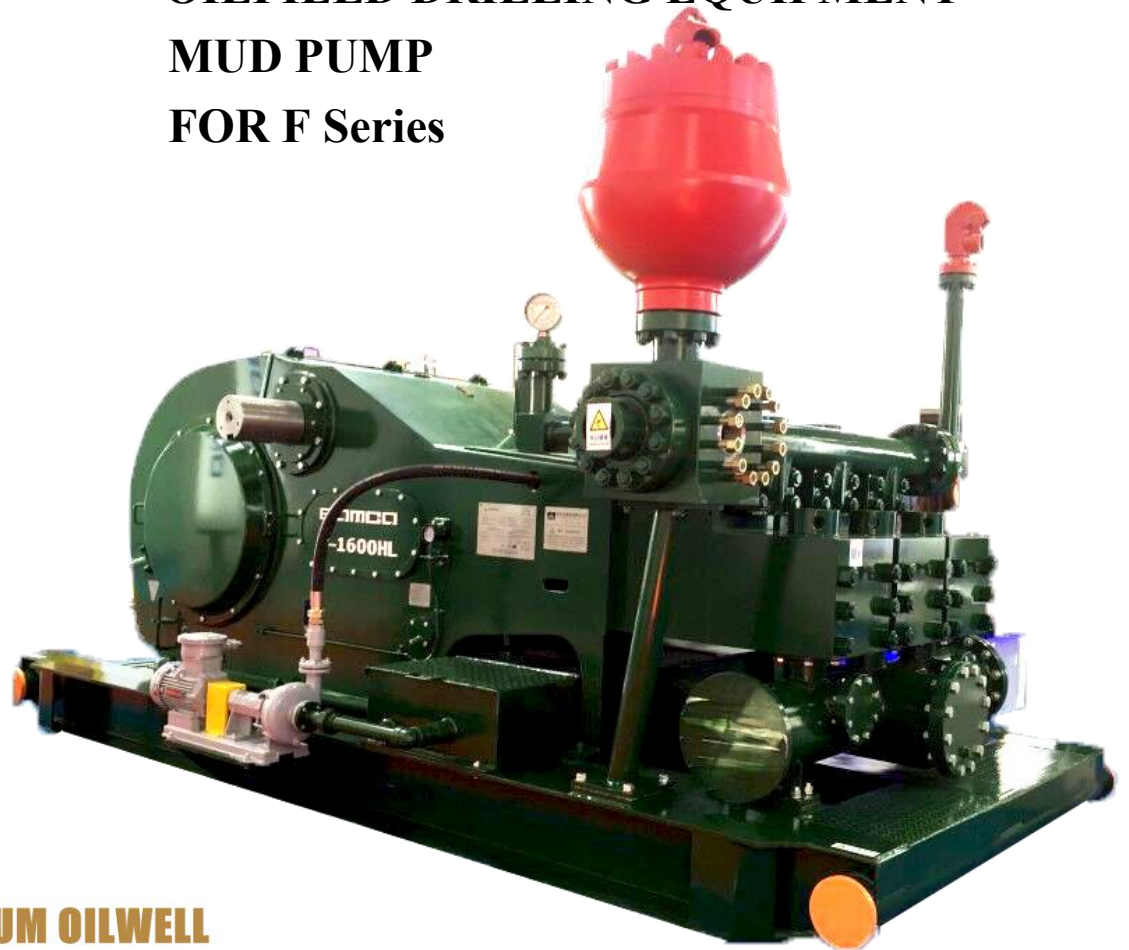


Tel:0086-15376875239
E-mail: sales@premiumrigparts.com

www.premiumrigparts.com

“At PREMIUM , we care about the products we supply.”

**OILFIELD DRILLING EQUIPMENT
MUD PUMP
FOR F Series**



NATIONAL PREMIUM OILWELL

E-mail: sales@premiumrigparts.com
www.premiumrigparts.com



Premium Mud Pump F Series

- Integrated production line: Premium delivers F series triplex single acting piston mud pump from 500HP up to 2200 HP with time-tested high performance.
- Reliable, compact, well-balanced design: designed for the most severe conditions.
- Power end with fine craftsmanship: High-strength, precisely machined frame; forged, heat-treated crankshaft; hardened surface on drive gears and longer lifetime.
- Fluid end & consumables: interchangeable with multiple OEM.
- Diversified drive options: Through belt, chain or gearbox, pumps could be operated by multiple brand AC/DC motor, diesel engine, or simply couple the pinion shaft with one of our premium Direct Drive motors.
- Upgrade a 1300HP or 1600HP mud pump to achieve higher discharge pressure (7500 psi) simply by changing to an "L" type fluid end, site service optional (extra charge).
- Western brand bearing set, relief valve, pulsation dampener, liner spray pump, pre-charge pump optional.
- Suitable for multiple brand piston & valve quick change tools, liner retention systems.
- Standard qualification and certification satisfies customer demand.

TECHNICAL PARAMETERS

Model	F-500	F-800	F-1000	F-1300
Max. Liner Size × Stroke	170×191 (6-3/4×7.5)	170×229 (6-3/4×9)	170×254 (6-3/4×10)	180×305 (7×12)
Strokes Rating, r/min	165	150	140	120
Power Rating, kW (HP)	373 (500)	597 (800)	746 (1000)	969 (1300)
Gear Type	4.286:1	4.185:1	4.207:1	4.206:1
Suction Inlet Flange , in	8	10	12	12
Discharge Outlet Flange , in	4	5	5	5
Pinion Shaft Dia., mm (in)	139.7 (5-1/2)	177.8 (7)	196.9 (7-3/4)	215.9 (8-1/2)
Key, mm (in)	31.75×31.75 (1-1/4×1-1/4)	44.45×44.45 (1-3/4×1-3/4)	50.8×50.8 (2×2)	50.8×50.8 (2×2)
Valve Cavity	Valve-Over-Valve, API #5	Valve-Over-Valve, API #6	Valve-Over-Valve, API #6	Valve-Over-Valve, API #7
Approx. Weight, kg (lb)	9770 (21540)	14500 (31970)	18790 (41420)	26700 (54170)



Premium Mud Pump F Series

TECHNICAL PARAMETERS

Model	F-1600/1600L	F-1600HL	F-2200	F-2200HL
Type	Triplex single acting piston	Triplex single acting piston	Triplex single acting piston	Triplex single acting piston
Max. Liner size×stroke length	180×305 (7×12)	190×305 (7-1/2×12)	230×356 (9×14)	230×356 (9×14)
Strokes Rating , r/min	120	120	105	105
Power Rating , kW (HP)	1193 (1600)	1193 (1600)	1640 (2200)	1640 (2200)
Gear Ratio	4.206:1	4.206:1	3.512:1	3.512:1
Discharge Outlet Flange, in	5" Flange, 5000 psi	5" Flange, 10000psi (110 mm)	5" Flange, 5000 psi (130 mm)	5" Flange, 10000 psi (130 mm)
Pinion Shaft Dia. , mm (in)	215.9 (8-1/2)	215.9 (8-1/2)	254 (10)	254 (10)
Key, mm (in)	50.8×50.8 (2×2)	50.8×50.8 (2×2)	63.5×44.45 (2-1/2×1-3/4)	63.5×44.45 (2-1/2×1-3/4)
Valve Pots	Valve-Over-Valve, API #7/ L type, API #7	L type, API #7	Valve-Over-Valve, API #8	L type, API #8
Approx. Weight , kg (lb)	24791 (54660) /27020kg (57100lb)	29400 (64820)	38460 (84790)	44000 (94980)

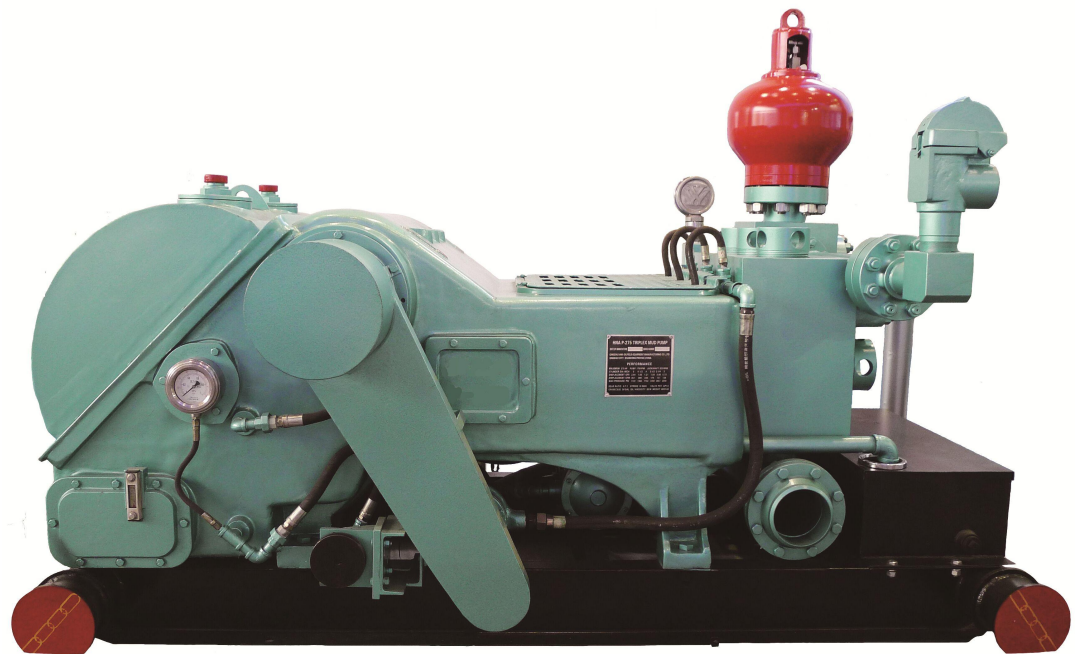
Disclaimer:

Premium rig parts is not an authorized agent, sales representative or repair facility for all the manufactures listed above. Manufactures names are registered trademarks of their respective companies.



“At PREMIUM , we care about the products we supply.”

**OILFIELD WORK OVER EQUIPMENT
MUD PUMP
FOR PAH-275**



NATIONAL PREMIUM OILWELL

E-mail: sales@premiumrigparts.com
www.premiumrigparts.com



Premium Mud Pump PAH-275

P-275 Pump Technical specifications

1. Input power rating (KW) 205 (275HP)
2. Rated pump speed (RPM) 175
3. Stroke Length (mm) 203(8")
3. Gear ratio 4.625
4. Rated speed of transmission shaft (RPM) 823
5. Max. working pressure (Kg/sq.cm) 219(3118PSI)
6. Valve size (API) 4#
7. Max. liner diameter (in) $\Phi 5''$
8. Max. displacement (GPM) 357
9. Max. liner pressure (Kg/sq.cm) 79 (1122PSI)
10. Diameter of suction pipe (mm) 158 (6 1/4")
11. Diameter of discharge pipe (mm) 58 (2 9/32")
12. Overall dimensions (with steel skid, LXWXH)
13. 2900*1700*2000mm(114.2"x69"x79)
14. Weight (Kg) (with skid) 5600(12400LBS)

Specifications

Rated Horsepower:	275 HP
Rated Pump Speed:	175 SPM
Stroke Length:	8"
Maximum Liner Size:	5"
Rod Load :	22,030 lbs
Gear Ratio:	4.7:1
Approximate Weight:	9,800 lbs

Performance

Liner Size, inches	Displacement		Maximum Pressure, psi	Pump RPM	JackShaft RPM
	Gallon Per Revolution	Gallon Per Minute			
5	2.04	357	1,122	175	823
4-1/2	1.65	289	1,386		
4	1.31	228	1,753		
3-1/2	1.00	175	2,290		
3-1/4	0.862	151	2,657		
3	0.734	128	3,118		

Ratings are based on 90% mechanical efficiency and 100% volumetric efficiency.

Disclaimer:

Premium rig parts is not an authorized agent, sales representative or repair facility for all the manufactures listed above. Manufactures names are registered trademarks of their respective companies.

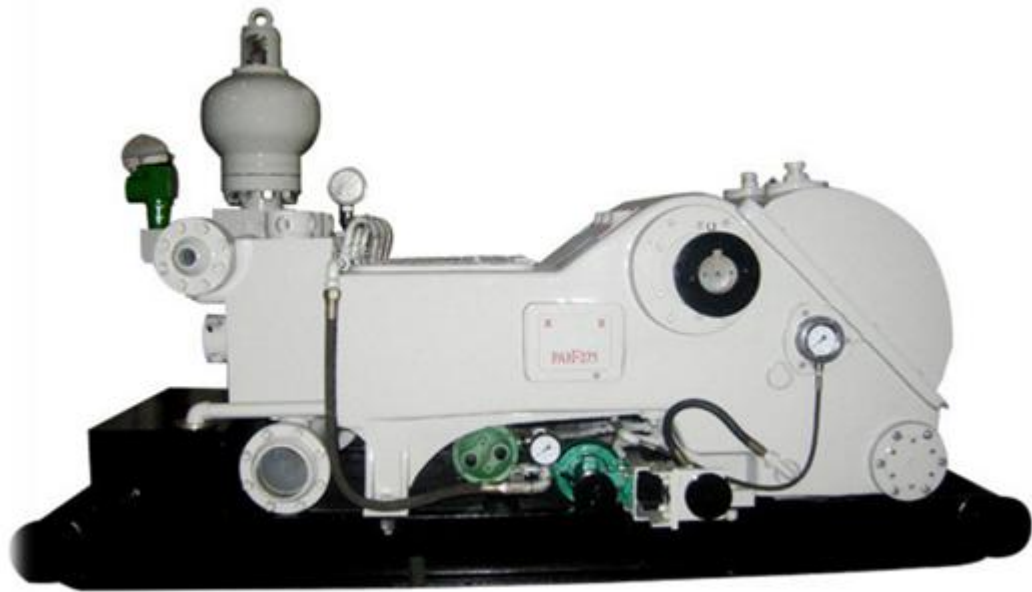


Tel:0086-15376875239
E-mail: sales@premiumrigparts.com

www.premiumrigparts.com

“At PREMIUM , we care about the products we supply.”

**OILFIELD DRILLING EQUIPMENT
MUD PUMP
FOR PZ-7**



NATIONAL PREMIUM OILWELL

E-mail:sales@premiumrigparts.com
www.premiumrigparts.com



Premium Mud Pump PZ-7

PZ-7 Pump Technical specifications

1. Input power rating (KW) 410 (550HP)
2. Rated pump speed (RPM) 145
3. Stroke Length (mm) 177.8(7")
4. Gear ratio 4.625
5. Rated speed of transmission shaft (RPM) 670
6. Max. working pressure (Kg/sq.cm) 352 (5000PSI)
7. Valve size (API) 7#
8. Max. liner diameter (mm) $\Phi 7''$
9. Max. displacement (GPM) 507
10. Max. liner pressure (Kg/sq.cm) 118 (1673PSI)
11. Diameter of suction pipe (mm) 203.2 (8")
12. Diameter of discharge pipe (mm) 100 (4")
13. Overall dimensions 3205*2250*2000mm
14. Weight (lbs) (exclude five way joint and pulsation damper) 8300kg 18300lbs
15. Weight (with skid) 10800kg

Liner Size, inches	Displacement		Maximum Pressure, psi	Pump RPM	JackShaft RPM
	Gallon Per Revolution	Gallon Per Minute			
7	3.5	507	1,673	145	670
6-1/2	3.02	437	1,940		
6-1/4	2.78	404	2,100		
6	2.57	373	2,277		
5-1/2	2.16	313	2,710		
5	1.78	259	3,279		
4-1/2	1.45	210	4,048		
4	1.14	166	5,000		

Ratings are based on 90% mechanical efficiency and 100% volumetric efficiency.

Disclaimer:

Premium rig parts is not an authorized agent, sales representative or repair facility for all the manufactures listed above. Manufactures names are registered trademarks of their respective companies.

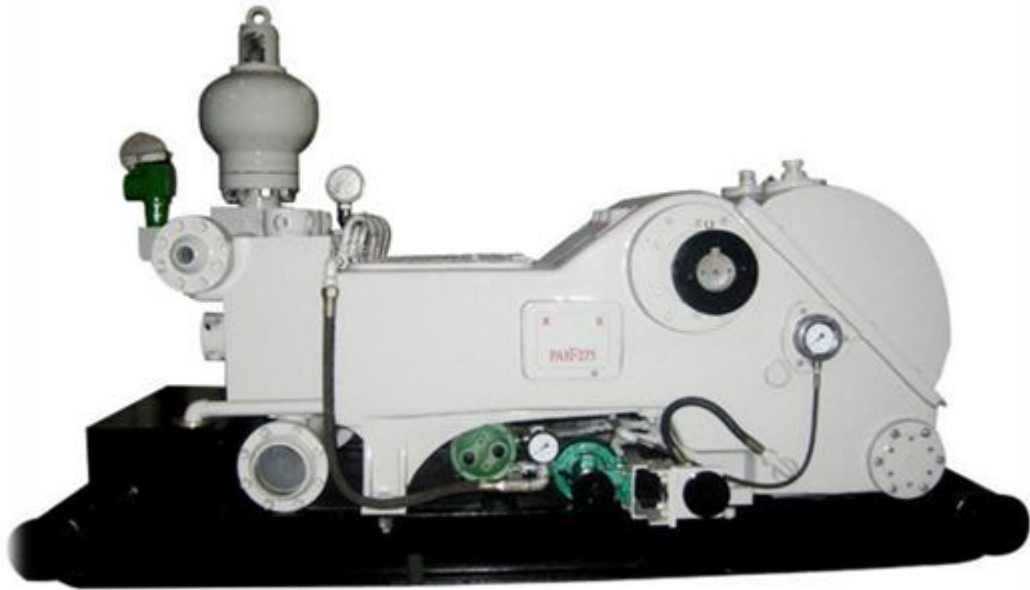


Tel:0086-15376875239
E-mail: sales@premiumrigparts.com

www.premiumrigparts.com

“At PREMIUM , we care about the products we supply.”

**OILFIELD DRILLING EQUIPMENT
MUD PUMP
FOR PZ-8**



NATIONAL PREMIUM OILWELL

E-mail:sales@premiumrigparts.com
www.premiumrigparts.com



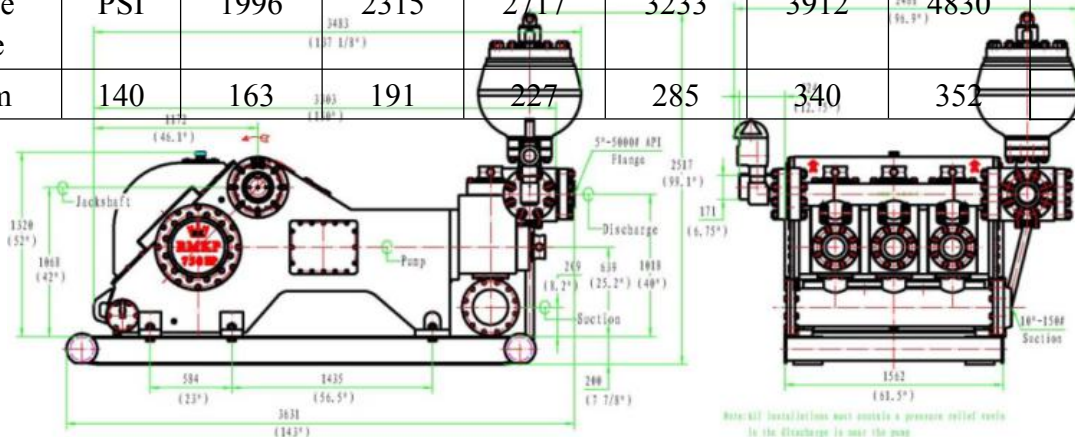
Premium Mud Pump PZ-8

PZ-8 Pump Technical specifications

1. Input power rating (KW) 559 (750HP)
2. Rated pump speed (RPM) 145
3. Stroke Length (mm) 203 (8")
4. Gear ratio 4.5
5. Rated speed of transmission shaft (RPM) 652
6. Max. working pressure (Kg/sq.cm) 352 (5000PSI)
7. Valve size (API) 7#
8. Max. liner diameter (mm) Φ 7"
9. Max. displacement (GPM) 580
10. Max. liner pressure (Kg/sq.cm) 140 (1996PSI)
11. Diameter of suction pipe (mm) 254 (10")
12. Diameter of discharge pipe (mm) 100 (4")
13. Overall dimensions 3650×2460×2520 mm
14. Weight (without dampener and joint atc) 10000kg
15. Weight (with dampener and joint atc) 12200kg

Pump Performance Data

Dia. of Liner	IN	7"	6 1/2"	6"	5 1/2"	5"	4 1/2"	4"
Gallon/Minute	580	500	426	358	296	240	189	Displacement
Liter/Minute	2196	1893	1613	1355	1120	908	715	
Discharge Pressure	PSI	1996	2315	2717	3233	3912	4830	5000
Kg/sq.cm	140	163	191	227	285	340	352	



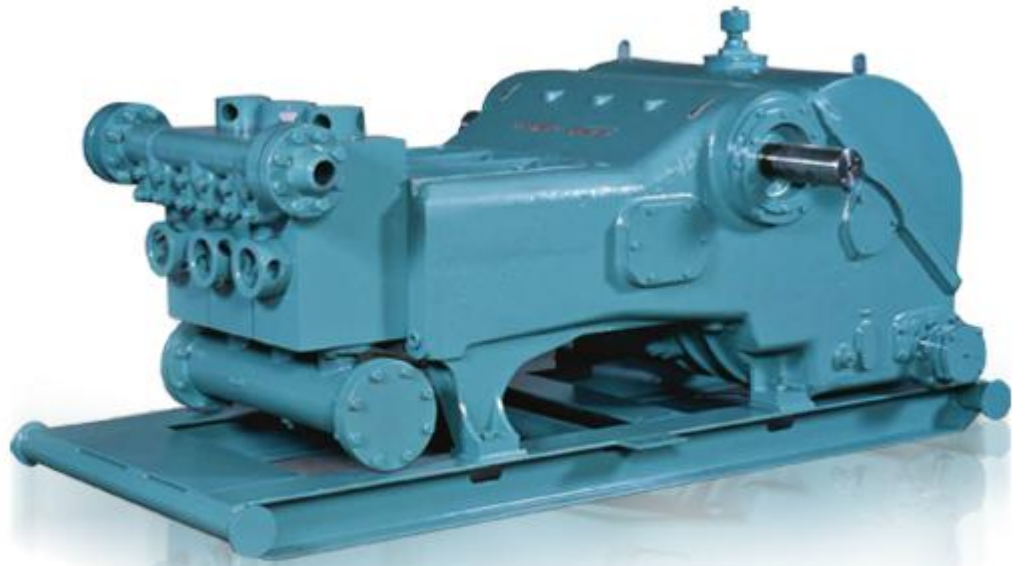
Disclaimer:

Premium rig parts is not an authorized agent, sales representative or repair facility for all the manufactures listed above. Manufactures names are registered trademarks of their respective companies.



“At PREMIUM , we care about the products we supply.”

**OILFIELD DRILLING EQUIPMENT
MUD PUMP
FOR PZ-9**



NATIONAL PREMIUM OILWELL

E-mail: sales@premiumrigparts.com
www.premiumrigparts.com



Premium Mud Pump PZ-9

PZ-9 Pump Technical specifications

1. Input power rating (KW) 746 (550HP)
2. Rated pump speed (RPM) 130
3. Stroke Length (mm) 229 (9")
4. Gear ratio 4.483
5. Rated speed of transmission shaft (RPM) 582
6. Max. working pressure (Kg/sq.cm) 352 (5000PSI)
7. Valve size (API) 7#
8. Max. liner diameter (mm) Φ 7"
9. Max. displacement (GPM) 585
10. Max. liner pressure (Kg/sq.cm) 186 (2639PSI)
11. Diameter of suction pipe (mm) 254 (10")
12. Diameter of discharge pipe (mm)100 (4")
13. Overall dimensions 4320*2500*2600mm
14. Weight (without dampener and joint atc)12480kg
15. Weight (with skid) 15500kg

Liner Size, inches	Displacement		Maximum Pressure, psi	Pump RPM	JackShaft RPM
	Gallon Per Revolution	Gallon Per Minute			
7	4.5	585	2,639	130	582
6-1/2	3.88	504	3,060		
6-1/4	3.59	466	3,310		
6	3.30	430	3,592		
5-1/2	2.78	361	4,274		
5	2.29	298	5,000		
4-1/2	1.86	242	5,000		
4	1.47	191	5,000		

Ratings are based on 90% mechanical efficiency and 100% volumetric efficiency.

Disclaimer:

Premium rig parts is not an authorized agent, sales representative or repair facility for all the manufactures listed above. Manufactures names are registered trademarks of their respective companies.

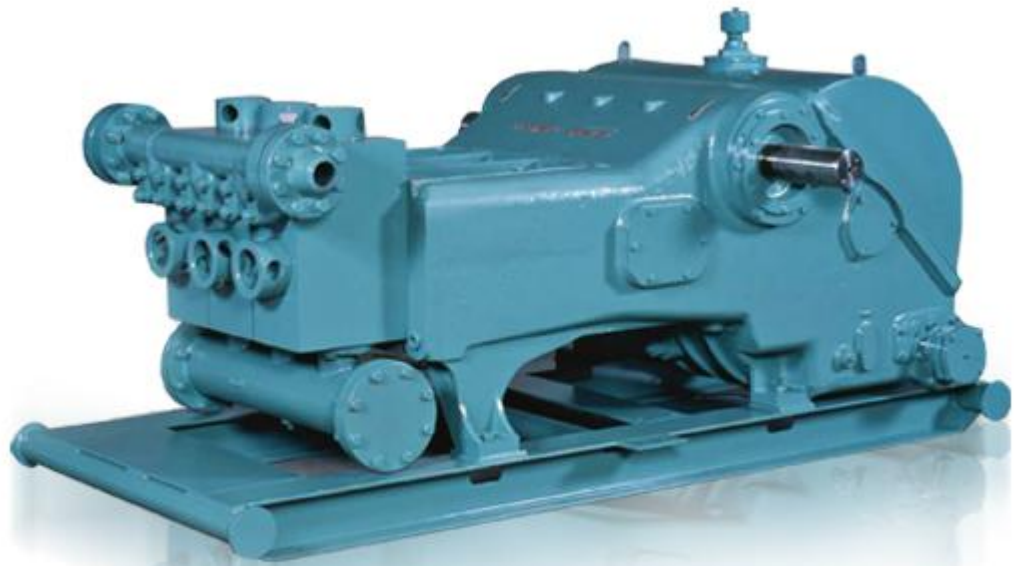


Tel:0086-15376875239
E-mail: sales@premiumrigparts.com

www.premiumrigparts.com

“At PREMIUM , we care about the products we supply.”

**OILFIELD DRILLING EQUIPMENT
MUD PUMP
FOR PZ-10/11**



NATIONAL PREMIUM OILWELL

E-mail: sales@premiumrigparts.com
www.premiumrigparts.com



Premium Mud Pump PZ-10/11

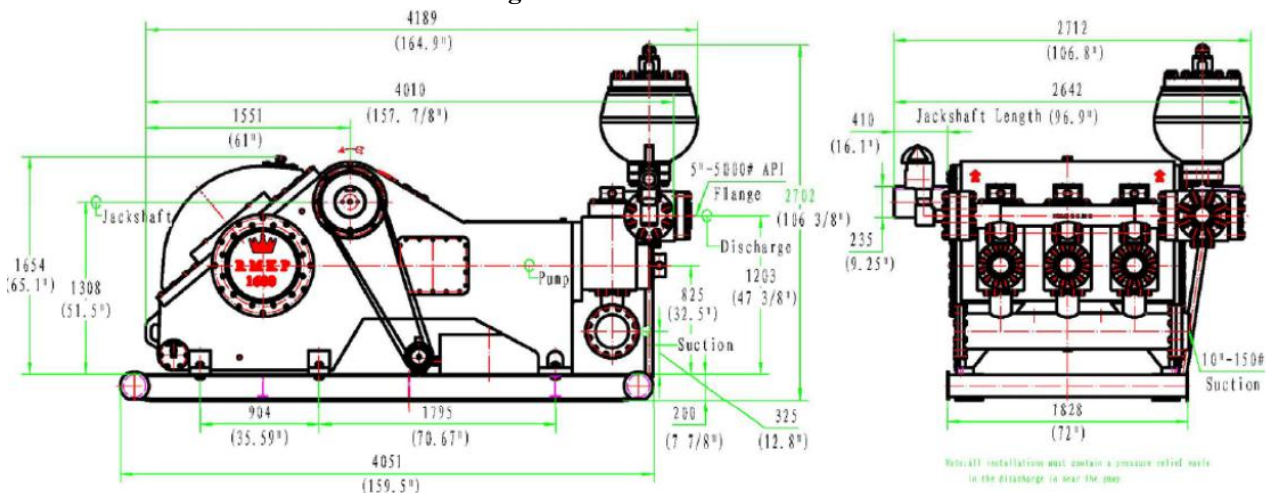
PZ-10/11 Pump Technical specifications

1. Input power rating (KW) 1193 (16000HP)
2. Rated pump speed (RPM) 115
3. Stroke Length (mm) 1279(11")
4. Gear ratio 4.38
5. Rated speed of transmission shaft (RPM) 504
6. Max. working pressure (Kg/sq.cm) 352 (5000PSI)
7. Valve size (API) 7#
8. Max. liner diameter (mm) Φ 7"
9. Max. displacement (GPM) 632
10. Max. liner pressure (Kg/sq.cm) 275 (3905PSI)
11. Diameter of suction pipe (mm) 254 (10")
12. Diameter of discharge pipe (mm) 100 (4")
13. Overall dimensions 4380*2700*2700 mm
14. Weight (exclude five way joint and pulsation damper) 17600kg
15. Weight (lbs) (21000kg) 46000lbs

Pump Performance Data

Dia. of Liner	IN	7	6 1/2	6	5 1/2
Displacement	Gal	632	545	465	390
	lon/Minut	2392	2063	1760	1476
Discharge Pressure	PSI	3905	4529	5000	5000
	Kg/sq.cm	275	318	352	352

The Over Installation Dimensions Drawing For PZ10/11



Disclaimer:

Premium rig parts is not an authorized agent, sales representative or repair facility for all the manufactures listed above. Manufactures names are registered trademarks of their respective companies.



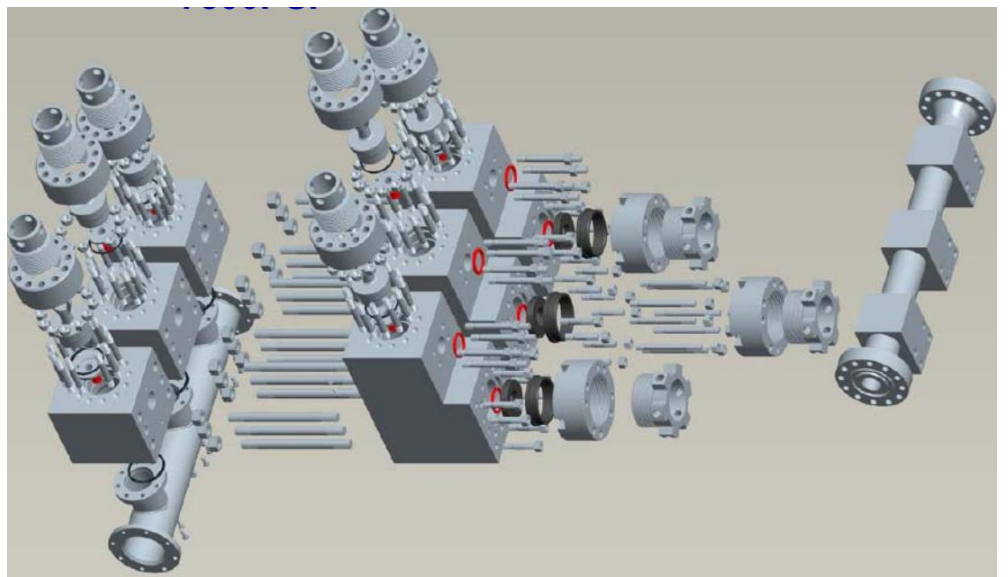
Tel:0086-15376875239

E-mail: sales@premiumrigparts.com

www.premiumrigparts.com

“At PREMIUM , we care about the products we supply.”

**OILFIELD DRILLING EQUIPMENT
MUD PUMP
FOR PZ-11 HL 7500 PSI**



NATIONAL PREMIUM OILWELL

E-mail: sales@premiumrigparts.com
www.premiumrigparts.com



Premium Mud Pump PZ-11HL 7500 PSI

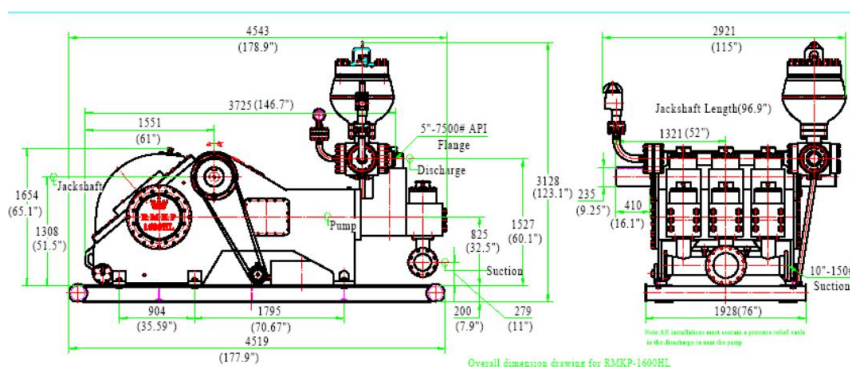
PZ-11 7500 PSI Pump Technical specifications

1. Input power rating (KW) 1193 (16000HP)
2. Rated pump speed (RPM) 115
3. Stroke Length (mm) 1279(11")
4. Gear ratio 4.38
5. Rated speed of transmission shaft (RPM) 504
6. Max. working pressure (Kg/sq.cm) 527
7. (7500PSI)
8. Valve size (API) 6 #
9. Max. liner diameter (mm) $\Phi 7''$
10. Max. displacement (GPM) 632
11. Max. liner pressure (Kg/sq.cm) 275 (3905PSI)
12. Diameter of suction pipe (mm) 254 (10")
13. Diameter of discharge pipe (mm) 100 (4")
14. Overall dimensions 4520*2790*3040 mm
15. Weight (exclude five way joint and pulsation damper) 47000 (21500kg)
16. Weight (lbs) 55000 (25000kg)

Pump Performance Data

Dia. of Liner	IN	7"	6-1/2"	6"	5-1/2"	5"
Displacement	Gallon/Minute	632	545	465	390	323
	Liter/Minute	2392	2063	1760	1476	1223
Discharge Pressure	PSI	3905	4529	5314	6324	7500
	Kg/sq.cm	275	318	374	445	527

■ The Over Installation Dimensions Drawing For RMKP-1600HL



Disclaimer:

Premium rig parts is not an authorized agent, sales representative or repair facility for all the manufactures listed above. Manufactures names are registered trademarks of their respective companies.



Tel:0086-15376875239
E-mail: sales@premiumrigparts.com

www.premiumrigparts.com